

# YORKSHIRE



DIMENSIONS:  
HIGH: 364mm  
WIDTH: 217mm  
LENGHT: 360mm

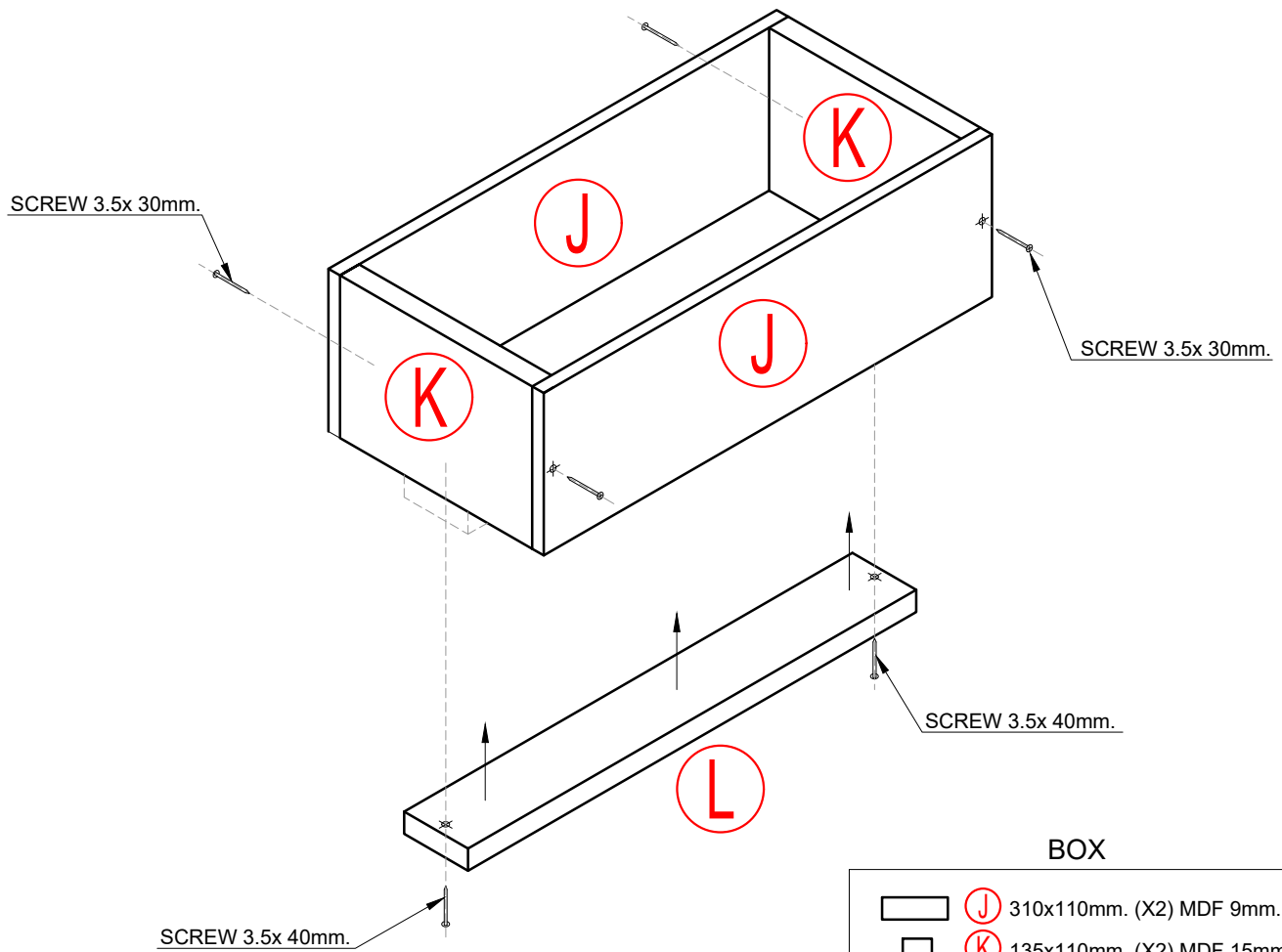
## MATERIALS

- 1.- SAW (THIN SHEET 18D) OR LASER CUTTER
- 2.- SCREWDRIVER
- 3.- WOOD MDF 15mm. 9mm. y 5mm.
- 4.- SANDPAPER N°180
- 5.- SCREWS 3,5x30mm. (9 Units)
- 6.- SCREWS 3,5x40mm. (2 Units)
- 7.- WEATHER RESISTANT PAINT COLOR: BROWN AND BLACK  
(Lighten the black color of the body a little to make it contrast with the eyes)
- 8.- WOOD GLUE
- 9.- WOOD SEALANT (OPTIONAL)

# INSTRUCTIONS

1.- CUT ALL PIECES OF THE PATTERN AND SAND TO SMOOTH THE EDGES.

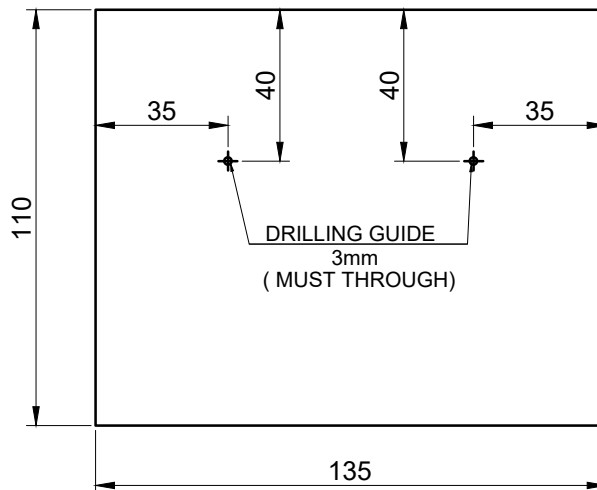
2.- ASSEMBLE THE BOX WITH THE SCREWS AND APPLY A LITTLE GLUE FOR GREATER FIRMNESS.



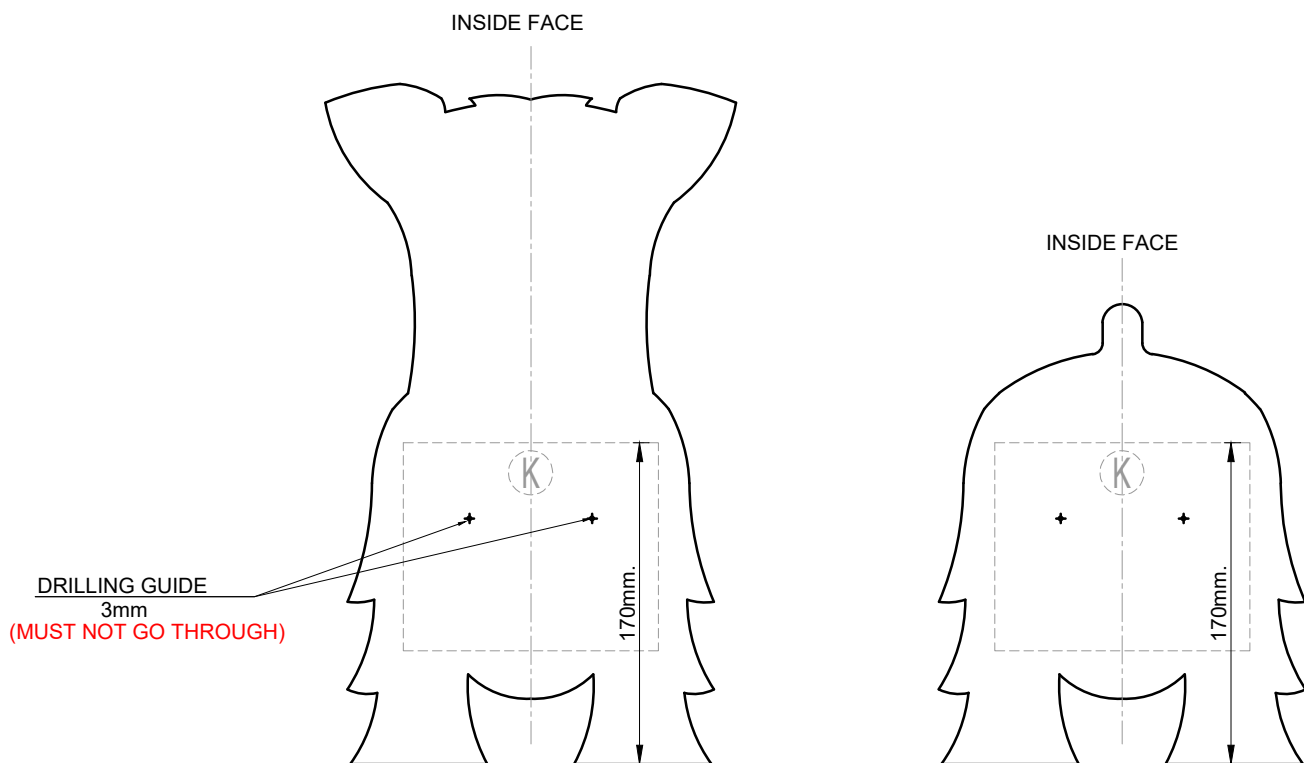
## BOX

	J	310x110mm. (X2) MDF 9mm.
	K	135x110mm. (X2) MDF 15mm.
	L	310x50mm. MDF 15mm.

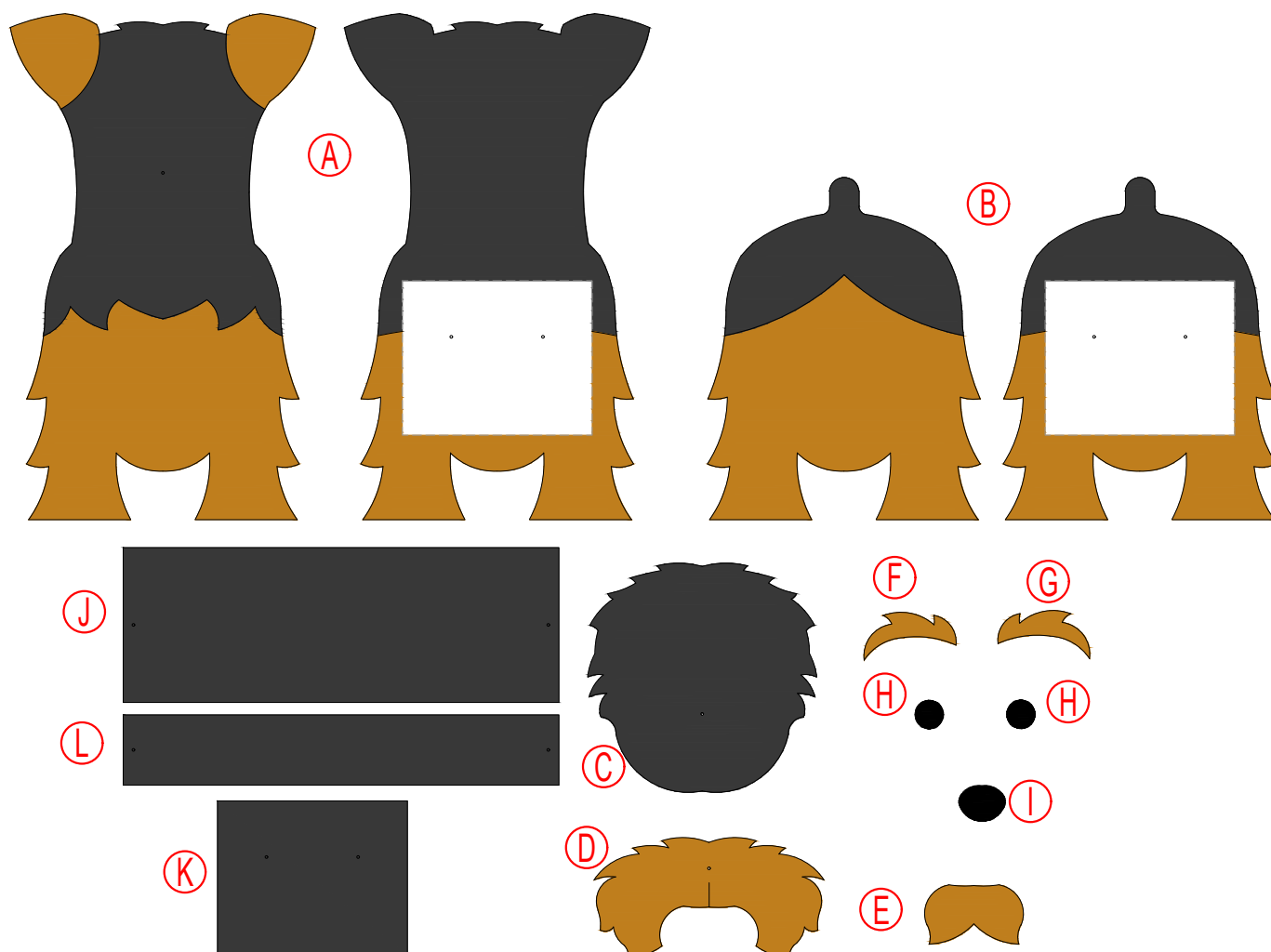
K



3.- JOIN BOX TO INTERNAL FACES "A" AND "B" WITH 3.5x 30mm SCREW. AND APPLY GLUE.  
 (BE CAREFUL THAT THE SCREW DOES NOT PUNCH THE FRONT FACE OF THE DOG)



4.- PAINT ALL PIECES (OPTIONAL, APPLY SEALANT ON WOOD BEFORE PAINTING).



5.- JOIN PIECES "E", "C" AND "A" WITH A 3.5x 30mm SCREW. AND APPLY GLUE.



6.- WE GLUE THE REST OF THE PIECES ACCORDING TO THE PATTERN, ACCURATELY AND APPLYING GLUE (NOT IN EXCESS).



!!! ENJOY YOUR BEAUTIFUL PLANTER !!!

IF YOU HAVE ANY QUESTIONS, PLEASE COMMUNICATE: [aago1985@gmail.com](mailto:aago1985@gmail.com) I WILL BE HAPPY TO HELP YOU.