

LABRADOR



DIMENSIONS:
HIGH: 532mm
WIDTH: 207mm
LENGHT: 373mm

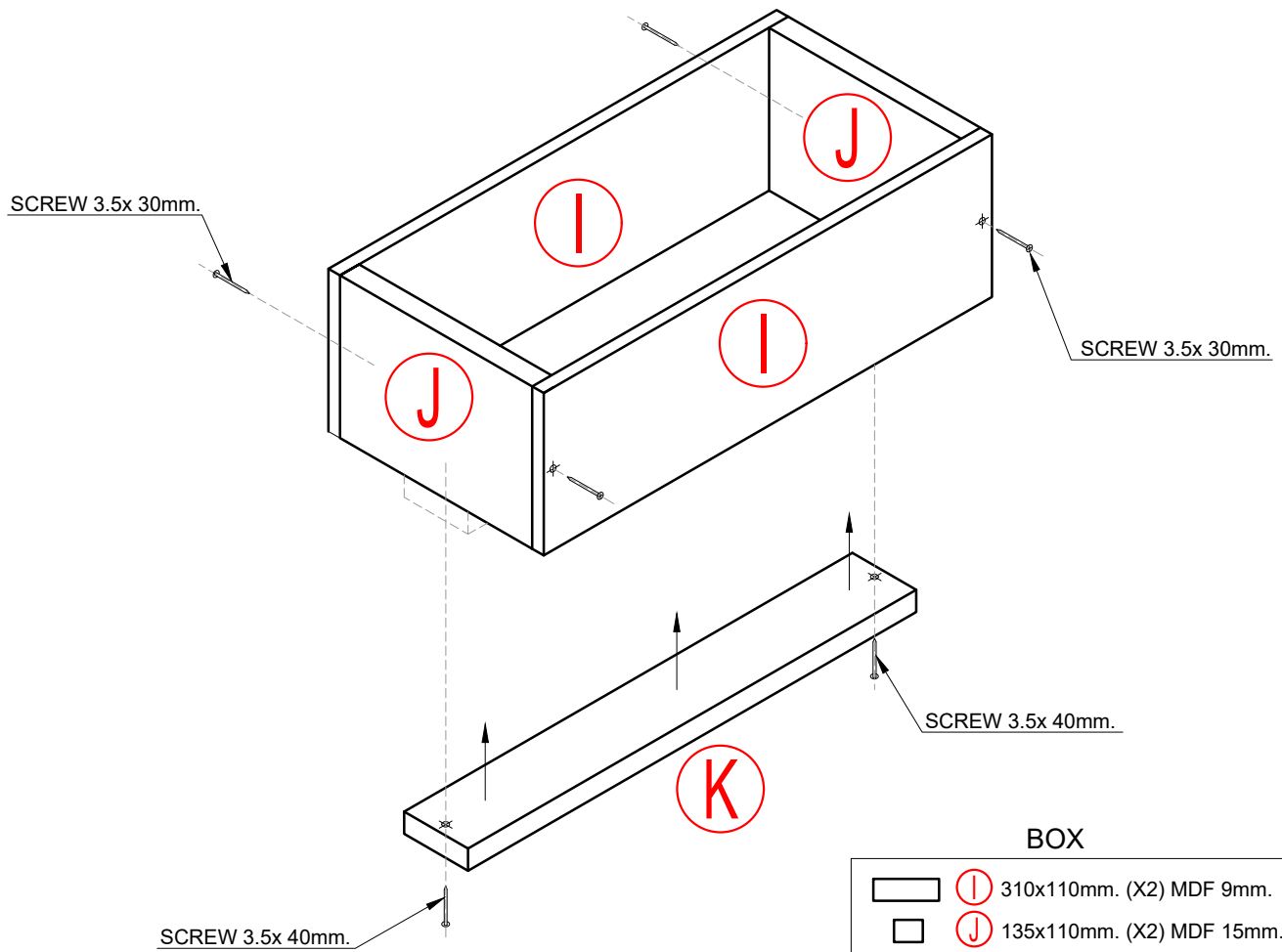
MATERIALS

- 1.- SAW (THIN SHEET 18D) OR LASER CUTTER
- 2.- SCREWDRIVER
- 3.- WOOD MDF 15mm. 9mm. y 3mm.
- 4.- SANDPAPER N°180
- 5.- SCREWS 3,5x30mm. (8 Units)
- 6.- SCREWS 3,5x40mm. (3 Units)
- 7.- WEATHER RESISTANT PAINT COLOR: BEIGE AND BLACK
- 8.- WOOD GLUE
- 9.- WOOD SEALANT (OPTIONAL)

INSTRUCTIONS

1.- CUT ALL PIECES OF THE PATTERN AND SAND TO SMOOTH THE EDGES.

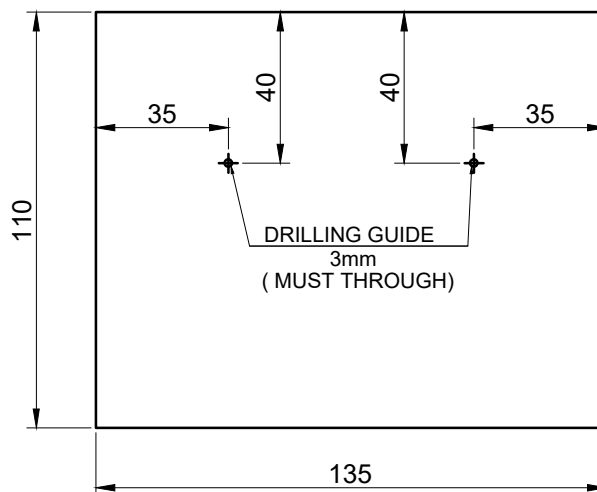
2.- ASSEMBLE THE BOX WITH THE SCREWS AND APPLY A LITTLE GLUE FOR GREATER FIRMNESS.



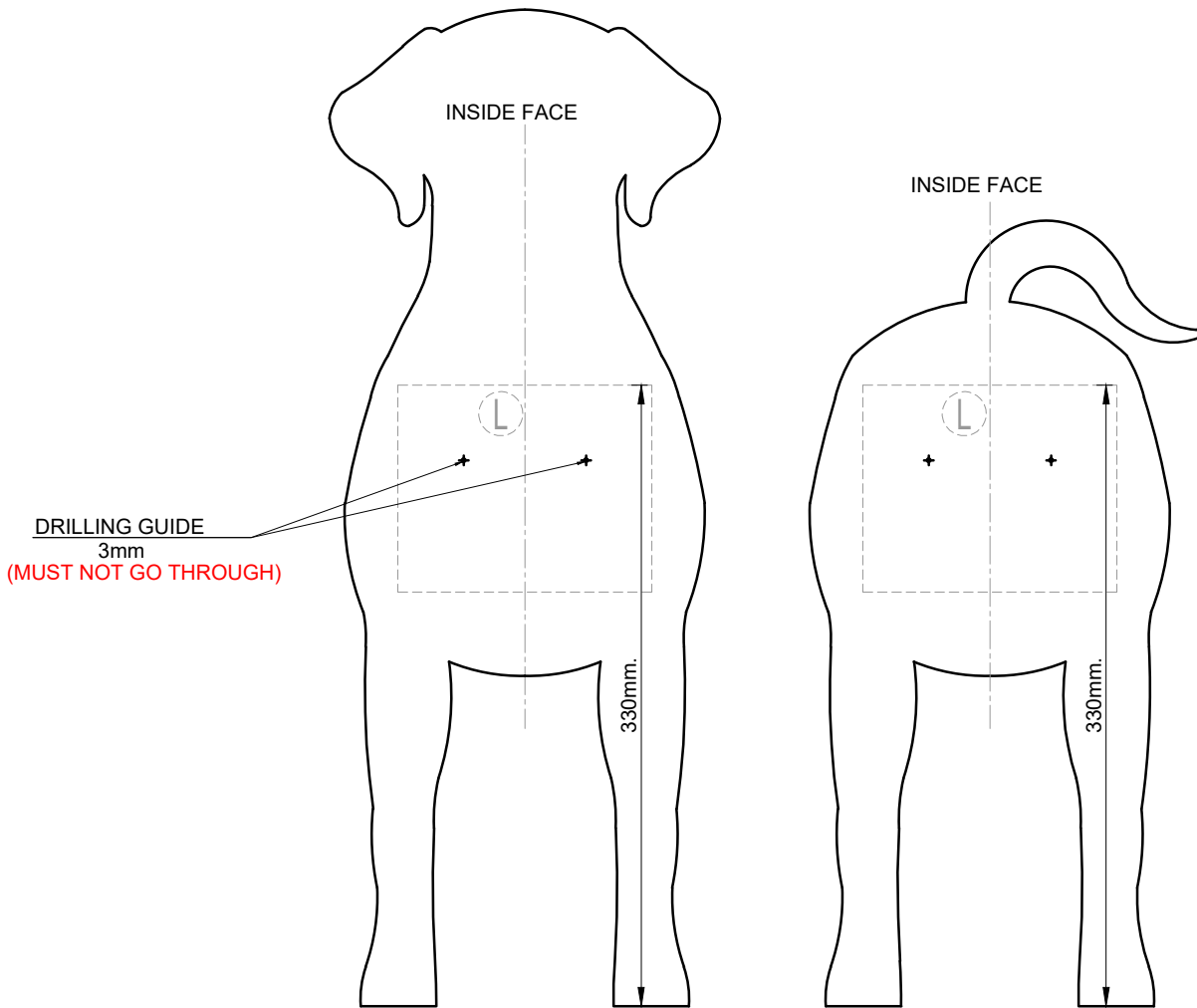
BOX

	I	310x110mm. (X2) MDF 9mm.
	J	135x110mm. (X2) MDF 15mm.
	K	310x50mm. MDF 15mm.

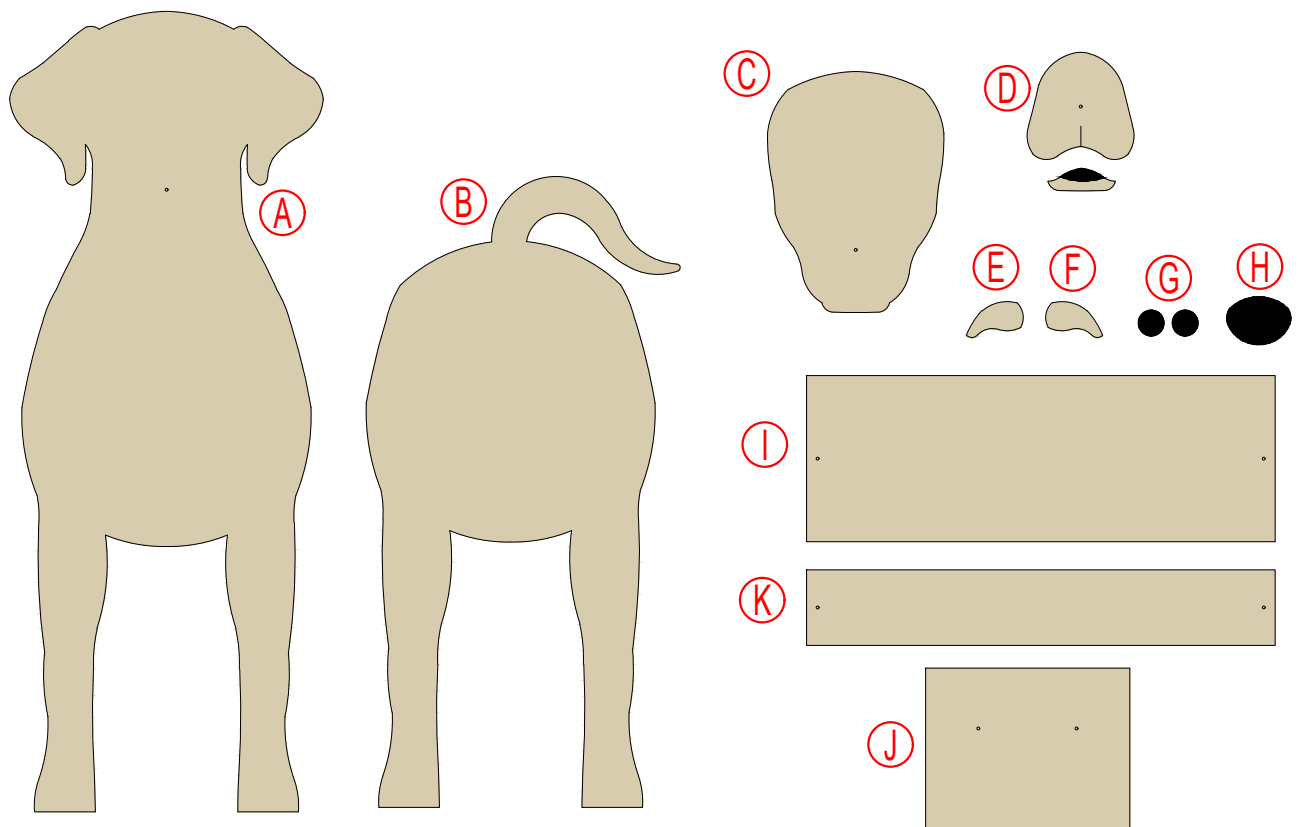
J



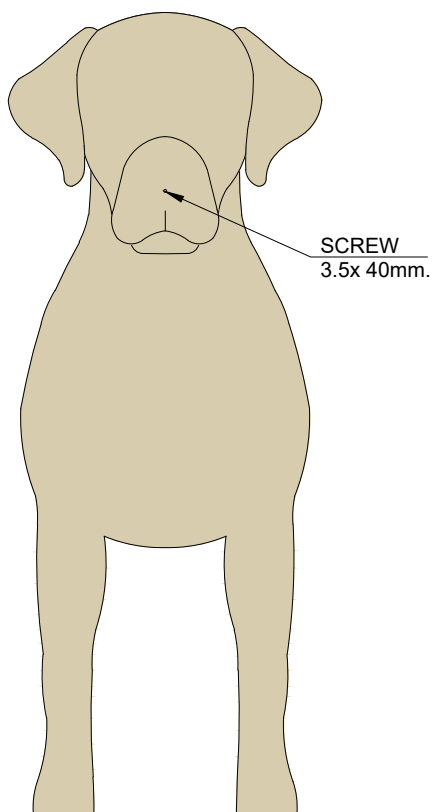
3.- JOIN BOX TO INTERNAL FACES "A" AND "B" WITH 3.5x 30mm SCREW. AND APPLY GLUE.
 (BE CAREFUL THAT THE SCREW DOES NOT PUNCH THE FRONT FACE OF THE DOG)



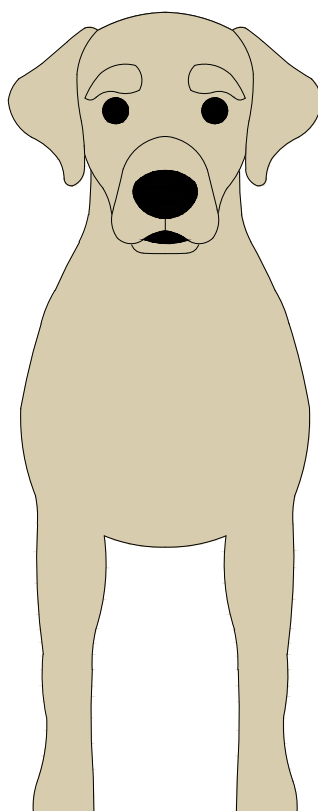
4.- PAINT ALL PIECES (OPTIONAL, APPLY SEALANT ON WOOD BEFORE PAINTING).



5.- JOIN PIECES "D" AND "C" TO PIECE "A" WITH A 3.5x 40mm SCREW. AND APPLY GLUE.



6.- WE GLUE THE REST OF THE PIECES ACCORDING TO THE PATTERN, ACCURATELY AND APPLYING GLUE (NOT IN EXCESS).



iii ENJOY YOUR BEAUTIFUL PLANTER !!!

IF YOU HAVE ANY QUESTIONS, PLEASE COMMUNICATE: aago1985@gmail.com I WILL BE HAPPY TO HELP YOU.